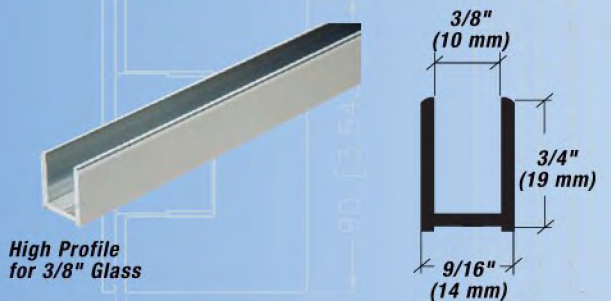




Aluminum Glazing Channels

Aluminum "U" Channels Designed for Wet Glaze Applications for 3/8" and 1/2" (10 and 12 mm) Glass

- Standard 98" and 144" (2.49 and 3.65 m) Stock Lengths
- Available in High and Low Profile
- Available in Individual Stock Lengths or 10 Per Box Quantities



U-CHANNEL

Length	Product Code High Profile for 3/8" Glass	Product Code Low Profile for 3/8" Glass	Product Code High Profile for 1/2" Glass	Product Code Low Profile for 1/2" Glass
98" (2.49 m)	AU-HP38	AU-LP38	AU-HP12	AU-LP12
144" (3.65 m)	AU-HP38-144	N/A	AU-HP12-144	N/A

Available Finishes	Length	Code
Bright Anodized (Chrome Look)	98" and 144"	BC
Satine (Matte)	98"	SA
Satin Chrome (Brushed)	98"	SC
Bright Gold Anodized (Polished Brass Look)	98" and 144"	BG
Satin Brass (Brushed)	98"	SB
Antique Brass	98"	AB
Satin Nickel (Brushed)	98" and 144"	BN
Matte Nickel	98"	MN
Polished Nickel	98"	PN
Brushed Pewter	98"	BP
Oil Rubbed Bronze	98"	OB
Polished Copper	98"	CP
Antique Copper	98"	AC
Black Nickel (Gun Metal)	98"	GM
Gloss White	98"	W
Gloss Black	98"	GB

End Caps for High Profile Channel



END CAPS

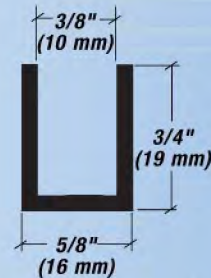
Product Code For 3/8" (10 mm) Glass	Product Code For 1/2" (12 mm) Glass	Finish
EC-38-C	EC-12-C	Chrome
EC-38-PB	EC-12-PB	Polished Brass
EC-38-BN	EC-12-BN	Satin Nickel (Brushed)
EC-38-OB	EC-12-OB	Oil Rubbed Bronze

Note: Complete the above product codes by adding the desired finish code to the end.

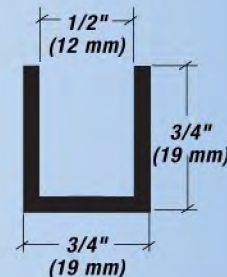
Solid Brass Glazing Channels

- Solid Brass "U" Channels Designed for Wet Glaze Applications for 3/8" and 1/2" (10 and 12 mm) Glass
- Standard 96" (2.44 m) Stock Lengths

Product Code For 3/8" (10 mm) Glass	Product Code For 1/2" (12 mm) Glass	Finish
BU-HP38-C	BU-HP12-C	Polished Chrome
BU-HP38-SC	BU-HP12-SC	Satin Chrome (Brushed)
BU-HP38-PB	BU-HP12-PB	Polished Brass
BU-HP38-SB	BU-HP12-SB	Satin Brass (Brushed)
BU-HP38-AB	BU-HP12-AB	Antique Brass
BU-HP38-NB	BU-HP12-NB	Natural Brass
BU-HP38-PN	BU-HP12-PN	Polished Nickel
BU-HP38-BN	BU-HP12-BN	Satin Nickel (Brushed)
BU-HP38-GM	BU-HP12-GM	Black Nickel (Gun Metal)
BU-HP38-GP	BU-HP12-GP	24K Gold
BU-HP38-SG	BU-HP12-SG	Satin 24K Gold (Brushed)
BU-HP38-CP	BU-HP12-CP	Polished Copper
BU-HP38-AC	BU-HP12-AC	Antique Copper
BU-HP38-NC	BU-HP12-NC	Natural Copper
BU-HP38-V	BU-HP12-V	Verde
BU-HP38-OB	BU-HP12-OB	Oil Rubbed Bronze
BU-HP38-BP	BU-HP12-BP	Brushed Pewter



Product Code
BU-HP38
High Profile
for 3/8" (10 mm)
Glass



Product Code
BU-HP12
High Profile
for 1/2" (12 mm)
Glass